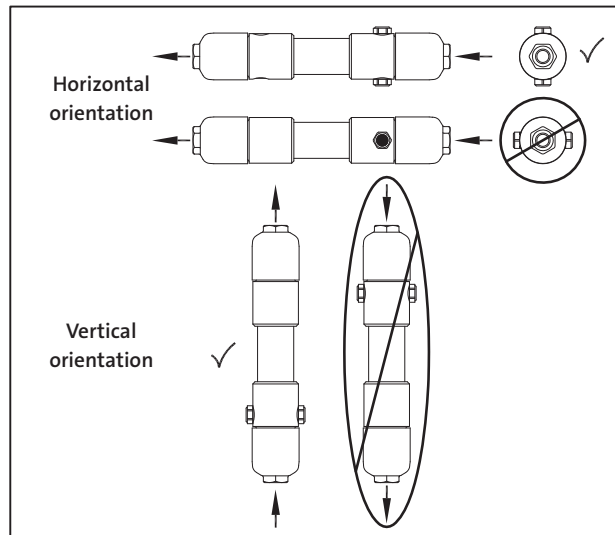
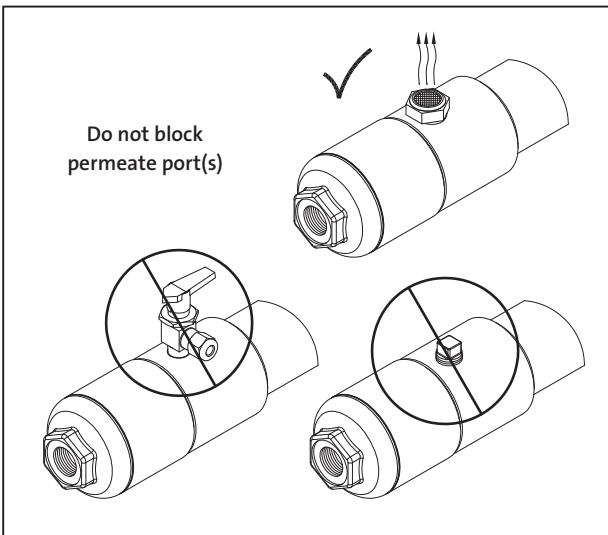
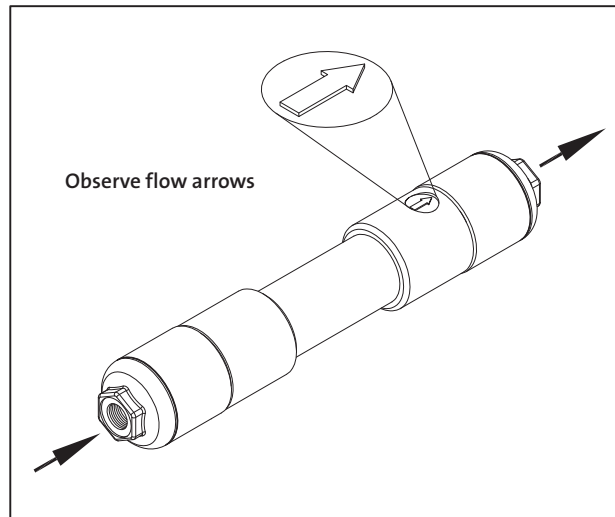
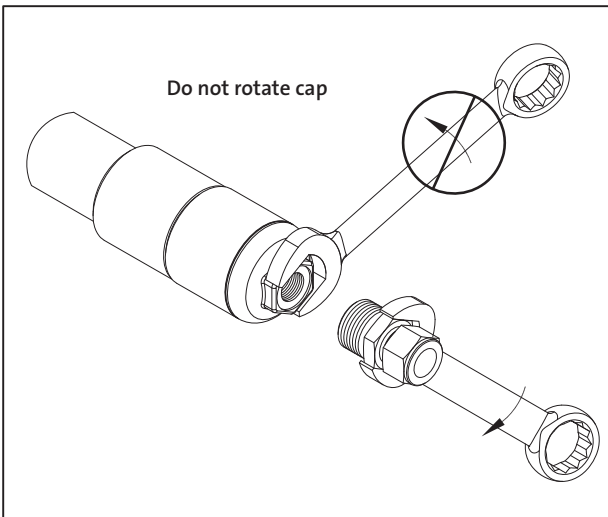
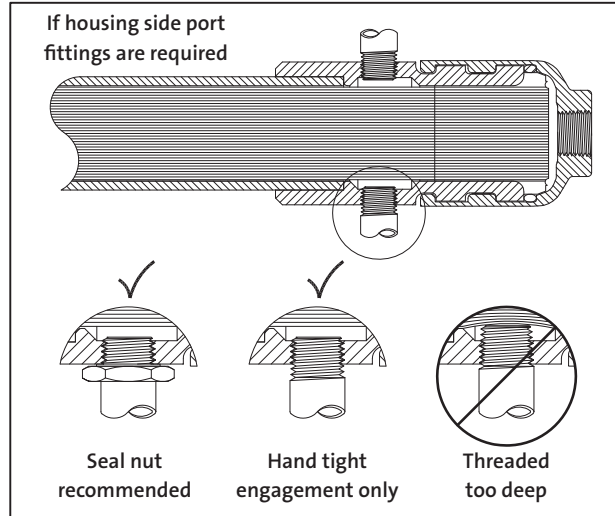
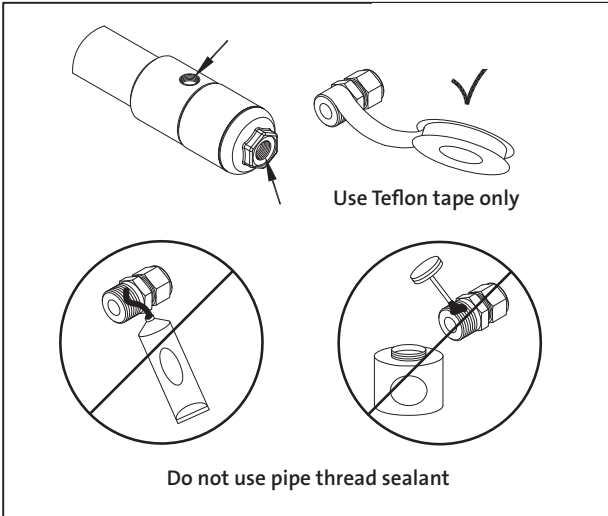
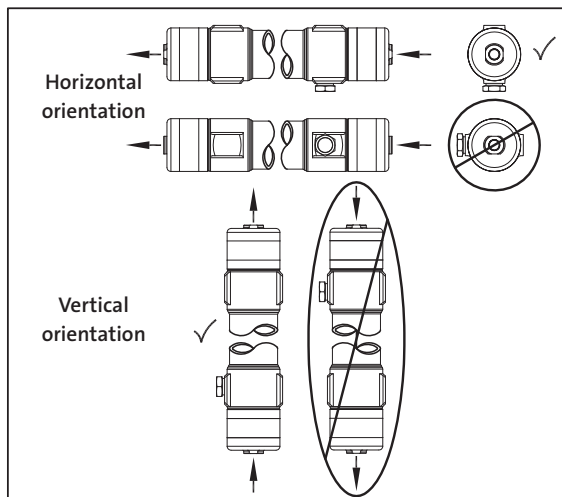
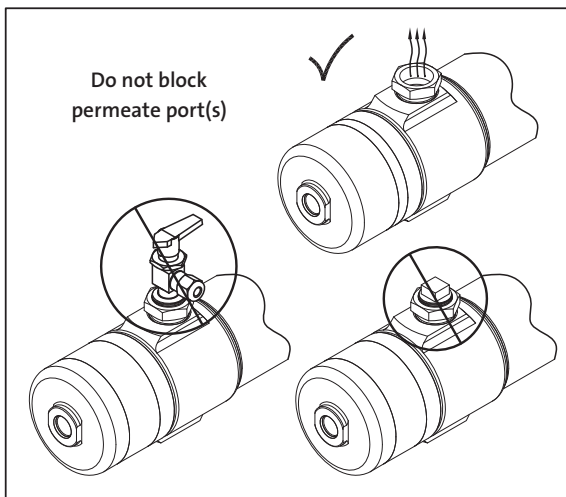
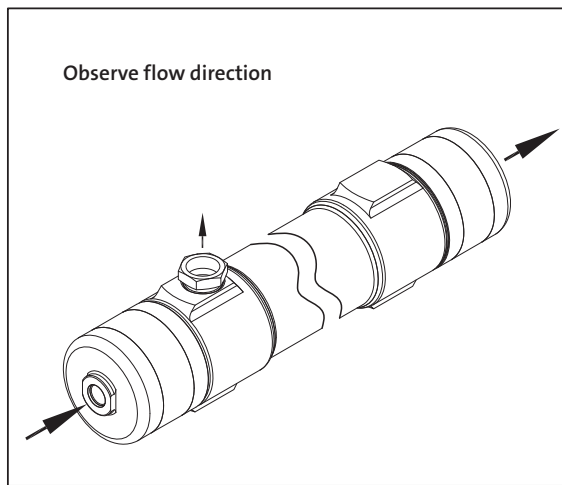
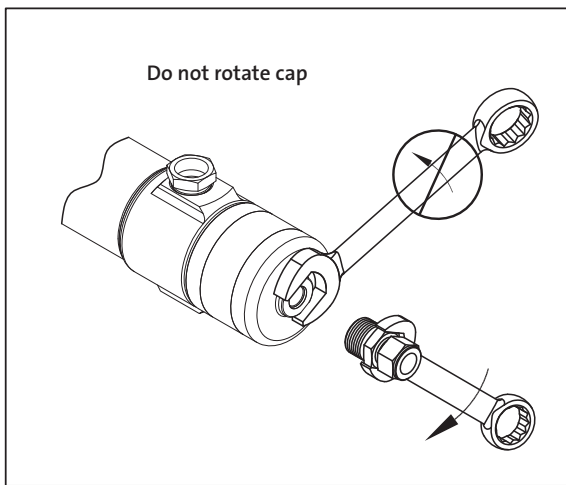
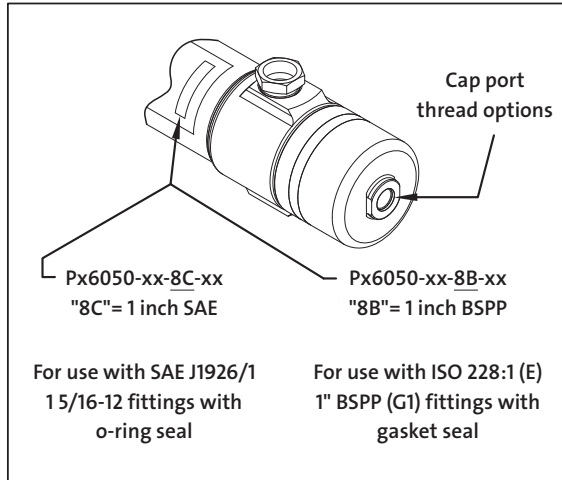
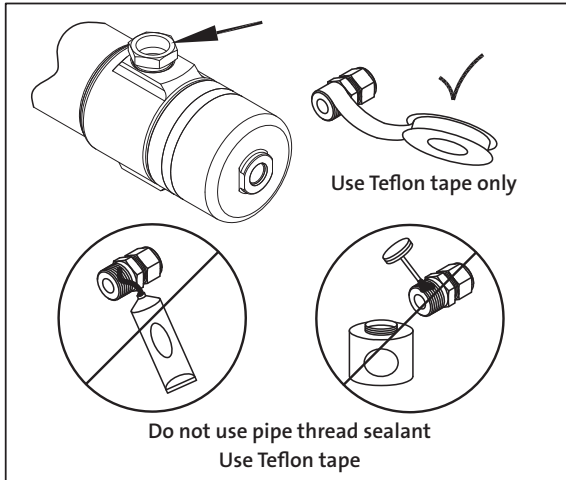


PRISM[®] Membrane Separator, PRISM Air Dryer, or CACTUS[®] Air Dryer Installation Guide— for 1-, 2-, 3- and 4-inch diameter modules



6-inch diameter PRISM® Membrane Installation Guide



For more information

To learn more about our global gas generation capabilities or to tell us more about your needs, contact us at:

Air Products and Chemicals, Inc.
 PRISM Membranes
 11444 Lackland Road
 St. Louis, MO 63146-3544
 Tel 800-635-8842
 Fax 314-995-3500

tell me more
www.airproducts.com/membranes